

ERESCO 160 MF4-R

Portable X-ray Unit 160 kV Directional Radiating Tube Head, air cooled

The X-ray tube head consists of a sturdy metal-ceramic X-ray tube and high voltage generator integrated into a rugged compact housing. The air-cooled 160 kV/600 W end-grounded X-ray tube is thermally protected for extended life.

The high voltage generator produces high-stability direct voltage at higher efficiency than conventional line frequency equipment.

The unit is designed for radioscopic applications respectively for applications with CR / Film where geometric enlargement is required.

The performance of the X-ray tube and the high voltage generator is continuously monitored for protection and operational safety. An on-board real time clock facilitates fully automatic warm-up routines for optimized and time-saving tube conditioning. The flexible connecting cable is heavy-duty and light weight.

Additional Features

- Rugged construction with proven reliability
- Gas insulated high voltage section reduces size & weight
- End-grounded, Be-window, metal-ceramic X-ray tube
- DC voltage operation
- Modern power electronics provides high stability
- On-board real time clock supports fully automatic warm-up
- Extended operating range from 10 kV to 160 kV enables flexible use
- Large 40° x 60° emergent beam
- Optimized air-flow cooling for efficient heat dissipation
- 100% duty cycle at 30° Celsius (86° F)
- Built-in fail-safe warning lamp
- CE certification according to EMC and Low Voltage Directives
- Water / dust resistant in accordance with protection class IP65
- Produced under ISO 9001 certified quality management system
- Also available as water-cooled version ERESKO 160 MF4-RW

Standard Delivery Scope

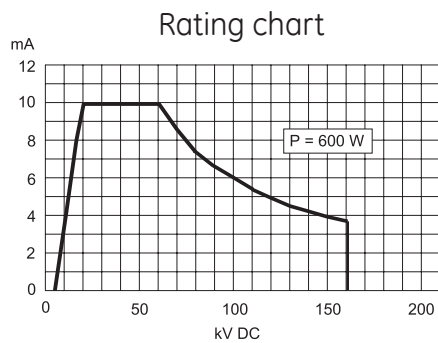
See product info "ERESCO MF4 Control"



GE imagination at work

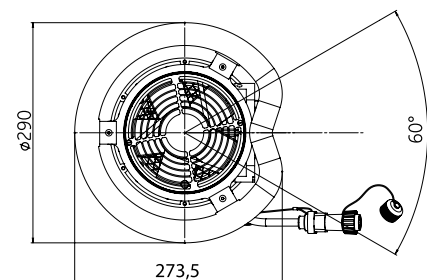
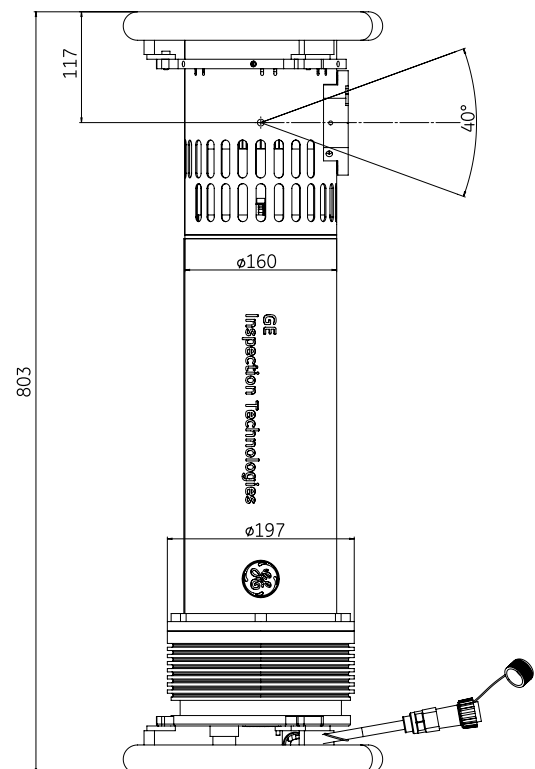
Technical Data

X-ray tube type	160 kV metal-ceramic with Tungsten (W) anode
kV range	10 - 160 kV (acc. to rating chart)
Target angle	20°
Inherent filtration	0.8 mm ± 0.1 mm, Be
Emergent beam	40° × 60°, elliptical
Focal spot size (EN 12 543)	1.0 mm (~0.5 IEC 336)
Tube current	0.5 - 10 mA (3.7 mA /160 kV)
Anode temperature, max.	100°C
Current and voltage stability	± 1%
Continuous rating	600 W
Power input, max.	1.0 kVA
Weight	26.8 kg (59.1 lbs)
Tube head diameter	160 mm (6.3") (without rings)
Protection class	IP65
Operating Temperature	-20°C to +50°C
Storage Temperature	-30°C to +80°C



Options

- Carrying cradle
- Diaphragm / collimator attachments
- Laser centering device
- Telescope centering device
- Transport and positioning cart
- Fail-safe flashing warning lamp
- Stands and mounting kits
- Aluminium transport box



drawings not true to scale



www.gesensinginspection.com

GEIT-30178EN (11/08)

© 2008 General Electric Company. All Rights Reserved. Specifications are subject to change without notice. GE is a registered trademark of General Electric Company. Other company or product names mentioned in this document may be trademarks or registered trademarks of their respective companies, which are not affiliated with GE.

Contact: GE Sensing & Inspection Technologies GmbH, Bogenstrasse 41, 22926 Ahrensburg, Germany, T +49 (0)4102 807 0